

Advantages and benefits of its use

Null water absorption

The great capacity of the pieces DECORAK_{MR} to resist humidity prevent the distortion or staining when in contact with water.

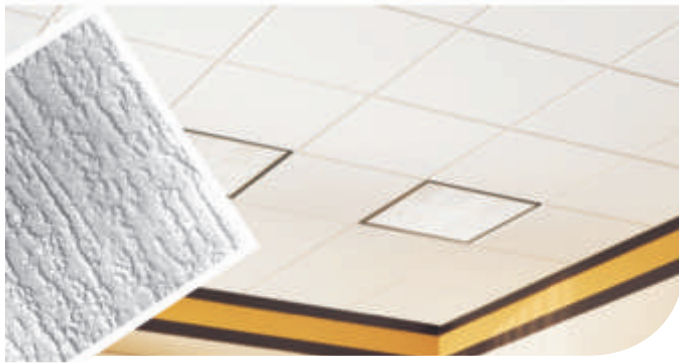
Security

Being made with polystyrene, they have the characteristics of being self-extinguishable when being in contact with fire.

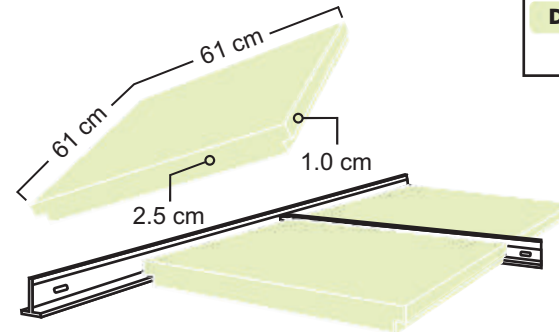
Easy handling and fast installation

-Its great resistance and lightness allow them to be installed with facility, achieving a minimum waste of pieces unlike other ceiling panels of different weights and materials.

- In addition to providing beauty, ceiling panel DECORAK_{MR} offer thermal isolation and great light reflectivity indoor.



Measurement



Density kg/cm³
1.6L

General technical specification

Characteristics	Measurements units	Test method	DECORAK
Density	kg/m ³	D-303 ó D-1622	16
Density tolerance	%	UNI 6349	6.00
Thermal conductivity (K)	25 °F	(BTU - plg) / (ft ² - °F - hr)	0.22
	40 °F		0.23
	75 °F		0.23
Resistencia térmica (R)	25 °F	(BTU - plg) / (ft ² - °F - hr)	4.55
	25 °F		4.26
	25 °F		4.26
Resistance Characteristic			
Compression with 10% distortion	kg/cm ²	D-1621	0.91 - 1.26
Flexion	kg/cm ²	C-203	2.1 - 2.67
Tension	kg/cm ²	D-1623	1.19 - 1.47
Cut	kg/cm ²	D-732	1.61 - 1.75
Cutting module	kg/m ²		26 - 28
Elasticity module	kg/cm ²		17.57 - 21.8
Humidity Resistance			
Water vapor permeability	perm - plg	C-355	1.5 - 3.5
Absorption (volume)	%	C-272	> 2.5
Capilarity			Ninguna
Maximum temperature of service			
Water permeability	perm - plg	C-355	1.5 - 3.5
Permanent exposure	°C		75
	°F		167
Intermittent exposure	°C		82.2
	°F		180
Oxygen index	%	D-2863	30.4
Dimensional stability	% of change	D-2126	2.0

Practical cutting recommendations:

- 1).- The ceiling panels can be easily cut with a cutter.
- 2).- At the moment of beginning to cut, it is advisable that the ceiling panel is against a flat surface.
- 3).- Once the cut has gotten to a quarter of the sheet you can put it vertically and continue to cut until the end.

Maintenance:

The dust that may accumulate in the panels can be removed easily with a brush or mild soap and water according to the stain than the piece present.

PLANTS

LAGUNA
(871) 759-09-50 al 53
g.sanchez@alfagamma.com.mx

JUÁREZ
(656) 687-35-60/61
m.soto@alfagamma.com.mx

TIJUANA
Lineas / México
(664) 623-51-91 / 92
Lineas / U.S.A.
(626) 334-53-58
(626) 777-19-01
a.acuna@alfagamma.com.mx

AGUASCALIENTES
(449) 910-64-60 al 69
m.rodriguez@alfagamma.com.mx

CULIACÁN
(667) 760-44-10/20
i.puente@alfagamma.com.mx

MONTERREY
(81) 8145-0608 / 09/10
j.navarro@alfagamma.com.mx

SALES OFFICES

SALTILLO
(871) 759-09-50 al 53
m.corra@alfagamma.com.mx

PUEBLA
(222) 281-07-93
263-13-11
263-28-19
p.martinez@alfagamma.com.mx

MÉXICO
(55) 5511-7828
(55) 5207-6891
h.labastida@alfagamma.com.mx

MAZATLÁN
(667) 760-44-10 / 20
l.osuna@alfagamma.com.mx

DISTRIBUTION CENTER

HERMOSILLO
(662) 118-01-39/40/41
c.hernandez@alfagamma.com.mx

GUADALAJARA
(449) 910-64-60 al 69
r.marquez@alfagamma.com.mx



Technical advice
Type or services:

- a).- Structural plans
- b).- Sketch
- c).- Fast specifications of quantification of materials.
- d).- Memories of calculus.
- e).- Telephone customer service

www.alfagamma.com.mx

